
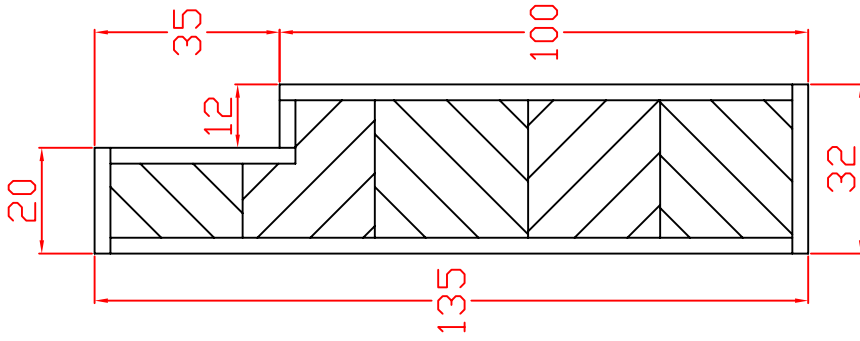
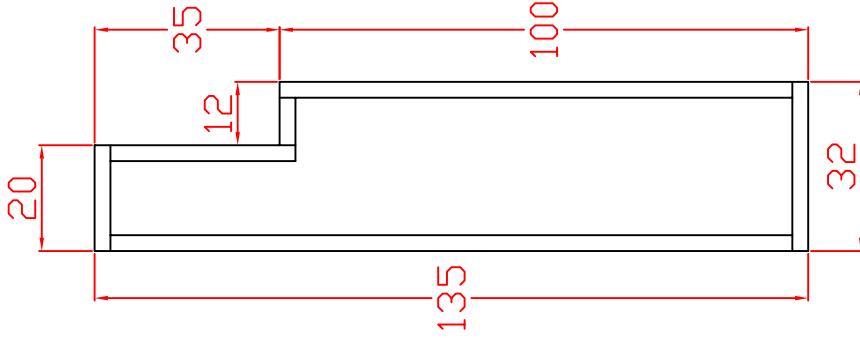


| | | | | | |
|--|---|--------------|--------------------|----------------|---|
| <p>XL JOINERY LTD BRADFORD ROAD BATLEY WEST YORKSHIRE WF17 8NE UNITED KINGDOM</p>  <p>Joinery Limited</p> | <p>ORD3000 OAK ROOM DIVIDER FRAME ELEVATION</p> | <p>TITLE</p> | <p>APPROVED BY</p> | <p>REMARKS</p> | <p>DRAWN BY: Mark Williams SCALE: DRAWING NO: CHECK BY: DATE ISSUED: 18/03/11 ISSUE</p> |
|--|---|--------------|--------------------|----------------|---|

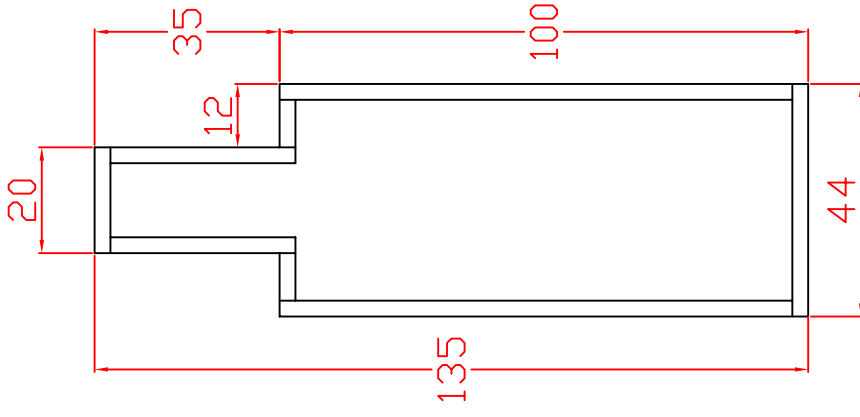
HEAD X 1
3000mm LONG



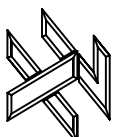
JAMB X 2
1997mm LONG

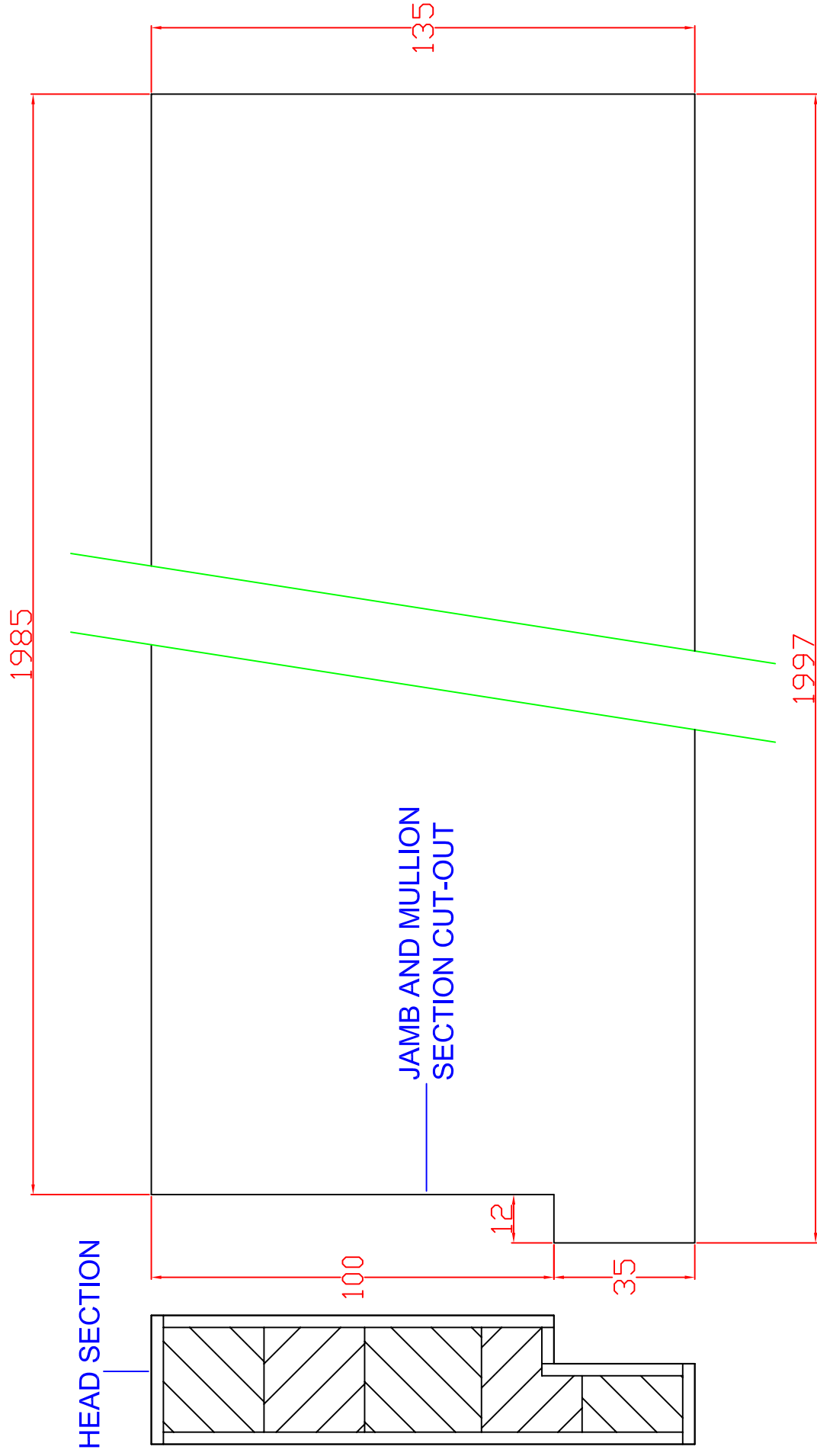


MULLION X 2
1997mm LONG



PROPOSED CONSTRUCTION: 3MM WHITE OAK LAMINATE &
OAK SUBSTITUTE CORE (NOT VISIBLE ON ANY EDGES)

| | | | | | |
|--|---|--|-------------|---------|---|
|  Joinery Limited | XL JOINERY LTD BRADFORD ROAD BATLEY WEST YORKSHIRE WF17 8NE UNITED KINGDOM | TITLE ORD3000 OAK ROOM DIVIDER COMPONENT SECTIONS | APPROVED BY | REMARKS | DRAWN BY: Mark Williams SCALE: DRAWING NO: CHECK BY: DATE ISSUED: 18/03/11 ISSUE |
|--|---|--|-------------|---------|---|



HEAD SECTION

JAMB AND MULLION SECTION CUT-OUT

| | | | | | |
|---|---|--------------|--------------------|----------------|---|
| <p>XL JOINERY LTD BRADFORD ROAD BATLEY WEST YORKSHIRE WF17 8NE UNITED KINGDOM</p> | <p>ORD3000 OAK ROOM DIVIDER JAMB AND MULLION DETAIL</p> | <p>TITLE</p> | <p>APPROVED BY</p> | <p>REMARKS</p> | <p>DRAWN BY: Mark Williams SCALE: DRAWING NO: CHECK BY: DATE ISSUED: 18/03/11 ISSUE</p> |
|---|---|--------------|--------------------|----------------|---|

